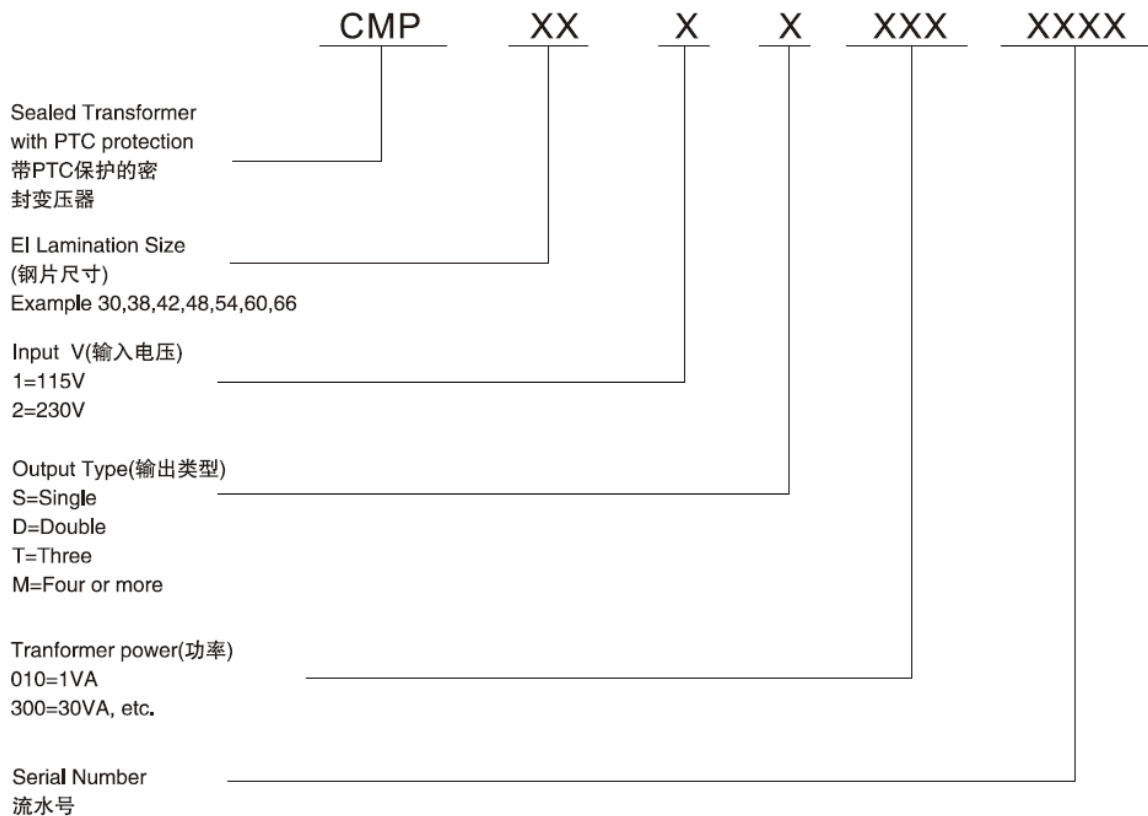


SEALED TRANSFORMER WITH PTC CMP SERIES

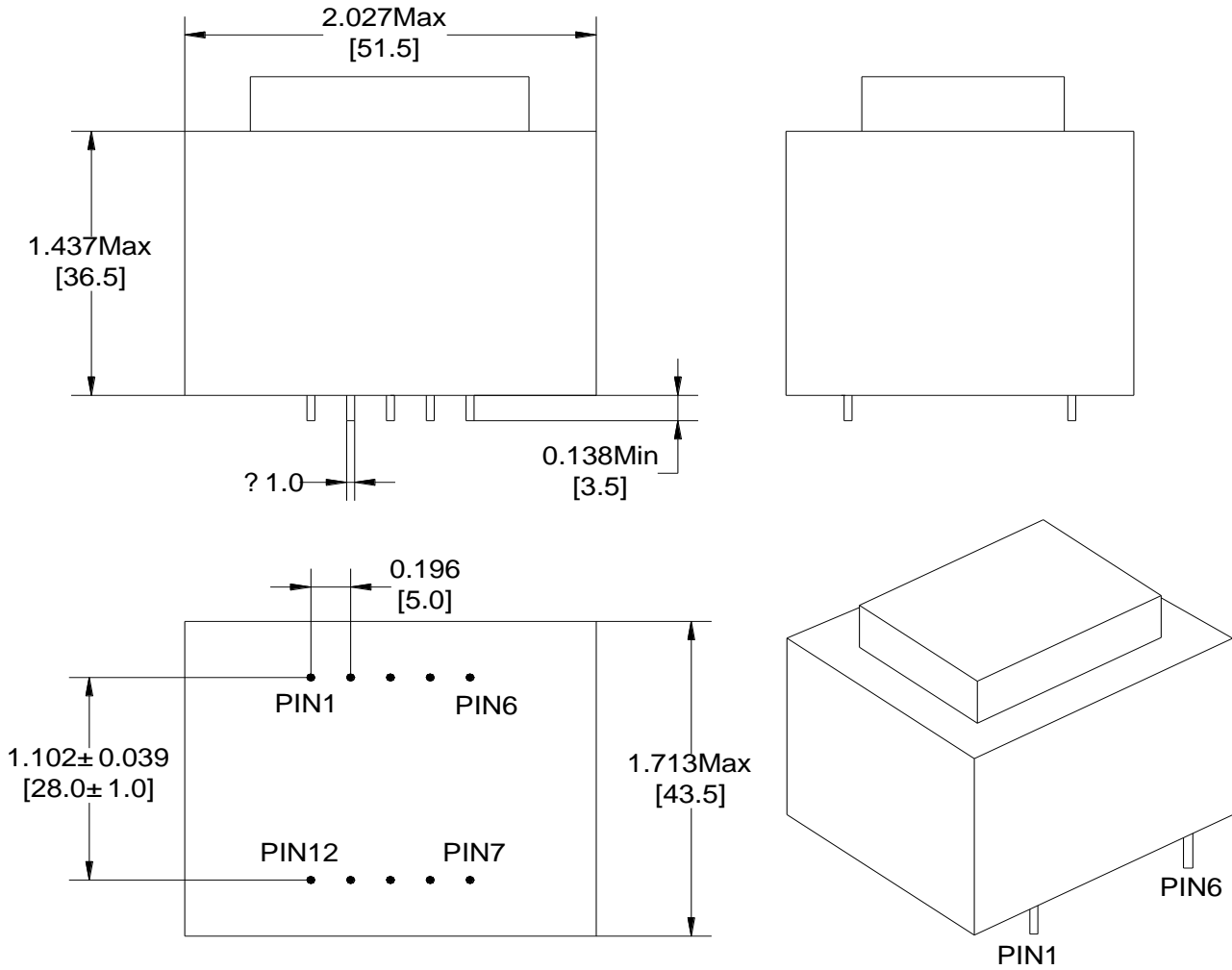
FEATURES

- CQC Approved:
CQC file No.CQC13001094903
- Vacuum Filling
- Split Bobbin Design
- Self-Extinguishing Plastics UL94V-0
- Dielectric Strength:
INPUT:230V 4200Vrms
INPUT:115V 2800Vrms
- Operation Frequency:50/60Hz
- Resin Class B IEC 85
(20,000 h Testing to IEC 216)
- 100% Production Tested

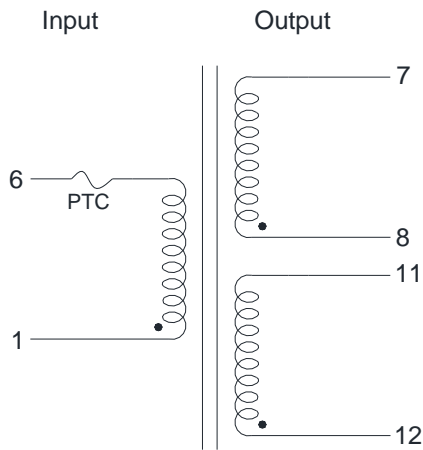
ORDERING CODE



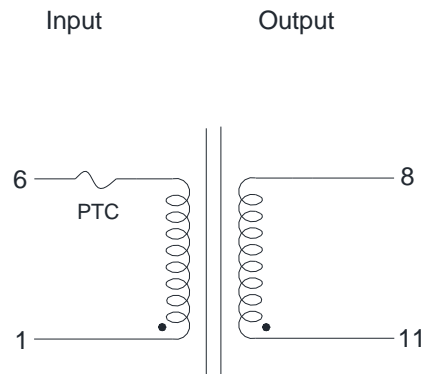
OUTLINE DIMENSIONS



SCHEMATIC DIAGRAM:



Dual outputs



Single output

ELECTRONIC SPECIFICATIONS

Order Number	Input Voltage (V)	No-load Voltage (V)	SEC. Voltage (V)	Rated Current (mA)	Rated Power (VA)	Ambient TEMP. (°C)	Weight (g)	Certificate	
								CQC	CE
CMP482S1000601	220V	7.5	6	1667	10.0VA	T 50 B	310g		
CMP482S1000901	220V	11.5	9	1111	10.0VA	T 50 B	310g		
CMP482S1001001	220V	12.5	10	1000	10.0VA	T 50 B	310g		
CMP482S1001201	220V	15	12	833	10.0VA	T 50 B	310g		
CMP482S1001501	220V	18.8	15	667	10.0VA	T 50 B	310g		
CMP482S1001801	220V	22.5	18	556	10.0VA	T 50 B	310g		
CMP482S1002401	220V	30	24	417	10.0VA	T 50 B	310g		
CMP482D1000601	220V	2X7.5	2X6	2X833	10.0VA	T 50 B	310g		
CMP482D1000901	220V	2X11.5	2X9	2X556	10.0VA	T 50 B	310g		
CMP482D1001001	220V	2X12.5	2X10	2X500	10.0VA	T 50 B	310g		
CMP482D1001201	220V	2X15	2X12	2X417	10.0VA	T 50 B	310g		
CMP482D1001501	220V	2X18.8	2X15	2X333	10.0VA	T 50 B	310g		
CMP482D1001801	220V	2X22.5	2X18	2X278	10.0VA	T 50 B	310g		
CMP482D1002401	220V	2X30	2X24	2X208	10.0VA	T 50 B	310g		